



RAVEN  
Concealment Systems

For more information  
or questions on the use of the  
Perun go to: [rcsgear.com](http://rcsgear.com)



MADE IN THE U.S.

With U.S. Materials  
On U.S. Tooling  
By U.S. Citizens



**WARNING**

Cancer and Reproductive Harm -  
[www.P65Warnings.ca.gov](http://www.P65Warnings.ca.gov)



Instructions



RAVEN  
Concealment Systems

PERUN

The Perun is a high-strength, light-weight, ambidextrous concealment holster. It is a modular holster that can also accept additional accessories to allow it to be configured for different methods of carry.

This manual will explain the features of the Perun Holster and how to assemble and adjust it. Always follow the four basic rules of firearm safety. Always adjust, test, and wear your equipment with an UNLOADED firearm prior to using it with a loaded firearm.

### Instructions for Installation:

#### OWB LOOPS

The Perun Outside-the-Waistband (OWB) Loops are designed specifically for the Perun holster body. They integrate by securing directly to the eyelet holes on the front and rear mounting flanges of the holster body. Examples are shown for all OWB Loop options in figures 1-3.



The Perun Holster comes pre-assembled with 10 Degree right-hand loops. Instructions are included should reassembly be required.

For mounting the 10 Degree right-hand loops, see [figure 1](#)

For mounting the 10 Degree left-hand loops, see [figure 2](#)

For mounting the 0 Degree ambidextrous loops, see [figure 3](#)

\*\*NOTE: A spare 1/4" Slotted Post, O-Ring, and 1/2" Oval Head Screw has been included should you misplace a set of loop hardware.

\*\*NOTE: In order to identify and orient your loops, an embossed "R" and "L" are located on the right and left-hand loops respectively. Ambidextrous loops are not embossed as they are oriented the same on either side of the holster.

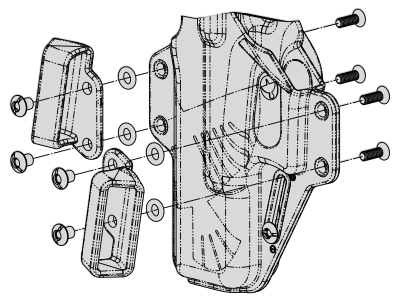


FIGURE 1

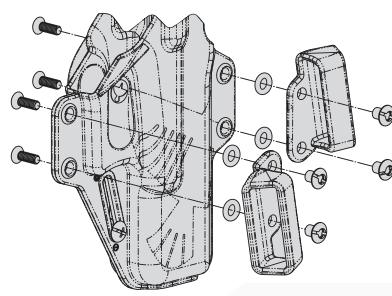


FIGURE 2

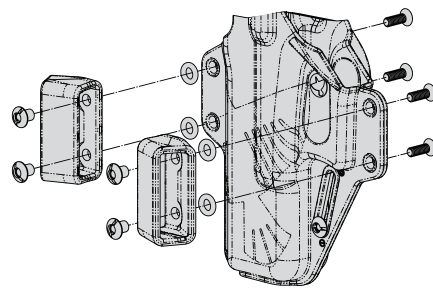


FIGURE 3



#### RETENTION ADJUSTMENT

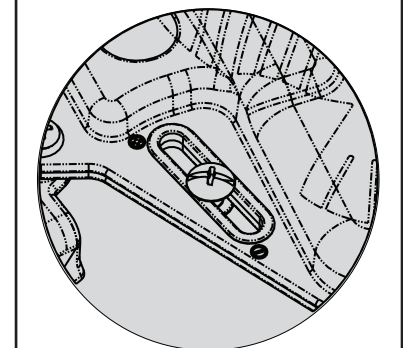
To increase the retention of your Perun Holster, loosen (do not remove) the retention screw assembly shown in [figure 4](#). Slide the mated screw and post toward the "plus symbol" on the holster body. "Loose fit" and check your retention by holstering and unholstering your cleared and safe weapon. When desired retention is met, thoroughly tighten the retention adjustment screw.

To decrease the retention of your Perun Holster, loosen (do not remove) the retention screw

assembly shown in [figure 4](#). Slide the mated screw and post toward the "minus symbol" on the holster body. "Loose fit" and check your retention by holstering and unholstering your cleared and safe weapon. When desired retention is met, thoroughly tighten the retention adjustment screw.



FIGURE 4



## PERUN LOOP SPACER

The Perun loop spacer is a holster mounting solution that enables the end user to create additional space between the holster and loops. The spacers can be used in two variations.

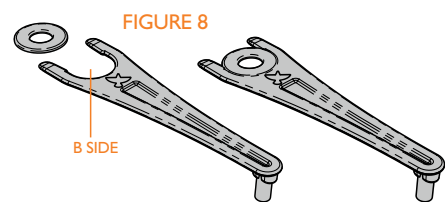
1). Single Spacer: When a spacer is installed with the rear loop only, space is created to allow thicker gun belts to pass through on light bearing holster models.

SEE GRIP SIDE (REAR LOOP) portion of the included diagram. See [figure 5](#)

2). Double Spacer: When a spacer is installed with both front and rear loops, a small amount

To remove an installed washer: First remove the retention screw and post. Use the B Side (U Notch) end of the Multi-Tool, and insert between holster halves to grasp the washer. The beveled ends of the U Notch will separate the holster just enough to allow the washer to be withdrawn freely.

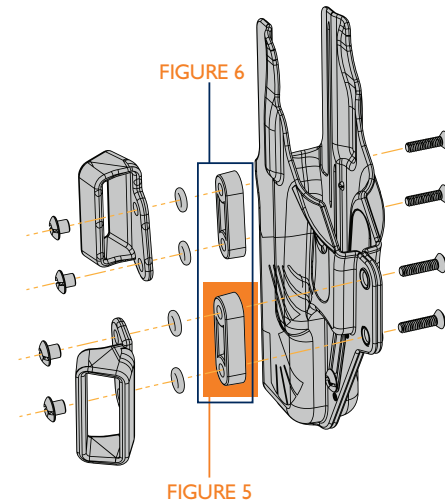
SEE B SIDE portion of the included diagram. See [figure 8](#)



of space is created between the holster and your body, accommodating different sized shooters and alleviating possible irritation experienced on high repetition training days.

See [figure 6](#)

NOTE: Use 3/4" Oval Head Screws in place of the 1/2" Oval Head Screws wherever spacers are being utilized.



## PERUN RETENTION WASHER

In order to achieve maximum retention and overall performance across multiple generations of light/pistol combinations, a washer has been preinstalled in the retention slot of your Perun Holster. This feature allows a more positive adjustment across the retention spectrum. The "Washer In" configuration has been optimized for the most current generation of light and pistol.

If you own a legacy generation light and/or pistol, you may find the optimal setting with the washer removed. The Perun Multi-Tool has been included for this purpose.

**Retention Washer installation:** For Perun Models that specify use of a washer in the retention slot, the opposing end (B SIDE) of the Multi-Tool will assist in inserting and properly locating the washer. Place the washer into the U-shaped notch, and feed the washer into the retention slot between the holster body halves. The beveled ends of the U Notch will assist in opening the holster. Align the washer so it's hole is aligned with the retention slot, insert the threaded post and screw (loose fit), then withdraw the Multi-Tool.

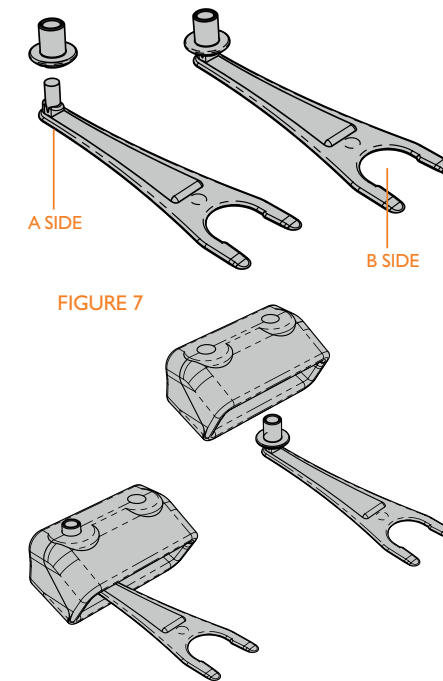
## PERUN Multi-Tool

The Perun Multi-Tool has been provided to assist in both assembly and adjustment for the Perun Holsters.

### 1). A SIDE Post Placement:

The A Side of the multi-tool will assist in "threading and seating" the posts into the belt loop opening. Simply place the post onto the raised detent, and feed into each post hole. Depending on which way the holster is oriented, either gravity will allow the post to place itself, or a light finger hold will keep it in place. Either way allows the tool to be lowered and withdrawn and the posts to remain in place.

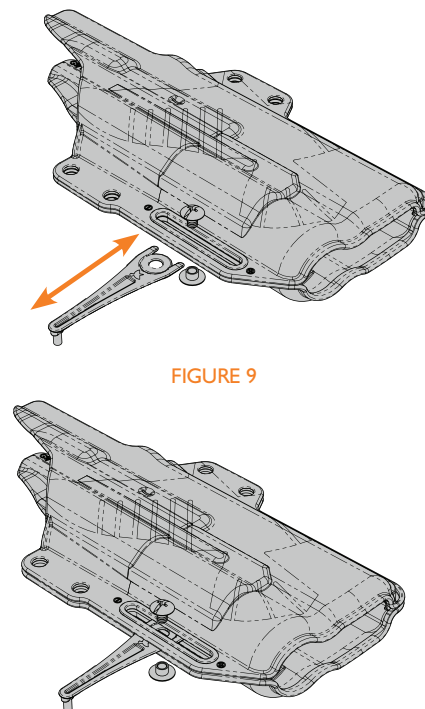
SEE A SIDE portion of the included diagram, [figure 7](#)



2). B SIDE Retention Washer installation and removal:

For Perun Models that specify use of a washer in the retention slot, the opposing end (B SIDE) of the Multi-Tool will assist in inserting and properly locating the washer. Place the washer into the U-shaped notch, and feed the washer into the retention slot inside the holster body halves. The beveled ends of the U Notch will assist in opening the holster. Align the washer so it's hole is aligned with the retention slot, insert the threaded post and screw (loose fit), then withdraw the Multi-Tool.

**Retention Washer removal:** First remove the retention screw and post. Use the B Side (U Notch) end of the Multi-Tool, and insert between holster halves to grasp the washer. The beveled ends of the U Notch will separate the holster just enough to allow the washer to be withdrawn freely. See [figure 9](#)



### ⚠ The four basic firearm safety rules:

1. Treat all guns as if they are loaded
2. Keep your fingers outside of the trigger guard until you are ready to fire
3. Never let the muzzle cross anything you are not willing to kill, destroy, or purchase.
4. Always know your target, its foreground and background.

