



RAVEN
Concealment Systems

For more information
or questions on the use of the
Lictor go to: rcsgear.com



MADE IN THE U.S.
With U.S. Materials
On U.S. Tooling
By U.S. Citizens

WARNING
Cancer and Reproductive Harm –
www.P65Warnings.ca.gov



RAVEN
Instructions



RAVEN
Concealment Systems

LICTOR

The Lictor magazine carriers offer the smallest footprint on the market today. They are ambidextrous, and works with rounds-forward and rounds-rearward magazine orientation. It has a slight “funnel top” to aid in guiding the magazine into the carrier.

This manual will explain the features of the Lictor carriers and how to assemble and adjust it. Always follow the four basic rules of firearm safety. Always adjust, test, and wear your equipment with an **UNLOADED** firearm prior to using it with a loaded firearm.

Instructions for Installation: Double Pistol Magazine Carrier

The G9LPD (Glock 9, Low-Profile Double) Mag Carriers are premium, duty-grade, injection-molded magazine carriers designed for hard-use daily concealed carry. Their innovative cavity design and retention system allows them to be used ambidextrously with both standard Glock and polymer aftermarket magazines from many manufacturers.

The carrier is produced as a single polymer piece, eliminating the need for

eyelet surfaces. This reduces the overall footprint of the mag carrier and saves critical real estate on your belt. The G9LPD is not only more comfortable than traditional magazine carriers; it is also more concealable. The G9LPD can be used in both the traditional “rounds pointing rearward” or “rounds pointing forward” methods of carry.

It has adjustable retention, allowing it to be tuned to your comfort and operational requirements.

These carriers ship with Raven Concealment’s signature Pancake Wings for a snug concealable fit. They are compatible with many popular MOLLE/MALICE clips if a vest worn option is preferred, as they are prefabricated with the respective hole spacing (mounts and hardware not included).

To install Pancake Wings:

Ensure proper orientation and align each wing with the correct hole pattern as shown in **Figure A**. Align the Post, O-Ring, Pancake Wing, and Screw as shown in **Figure A** and tighten, repeating for all 4 Hole locations.

To adjust retention:

To tighten (increase) retention, turn the center retention screw clockwise or, right (as it faces the front of the mag carrier).

See **Figure B**. **NOTE:** It is recommended for best fitment that tightening adjustments be made with the desired magazines inserted into the carrier.

To loosen (lighten) retention, simply turn the center retention screw counter clockwise or, left (as it faces the front of the mag carrier). See **Figure B**.

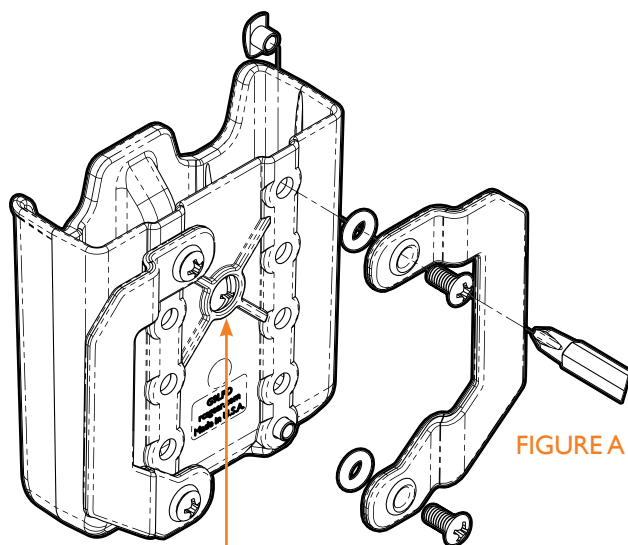


FIGURE A

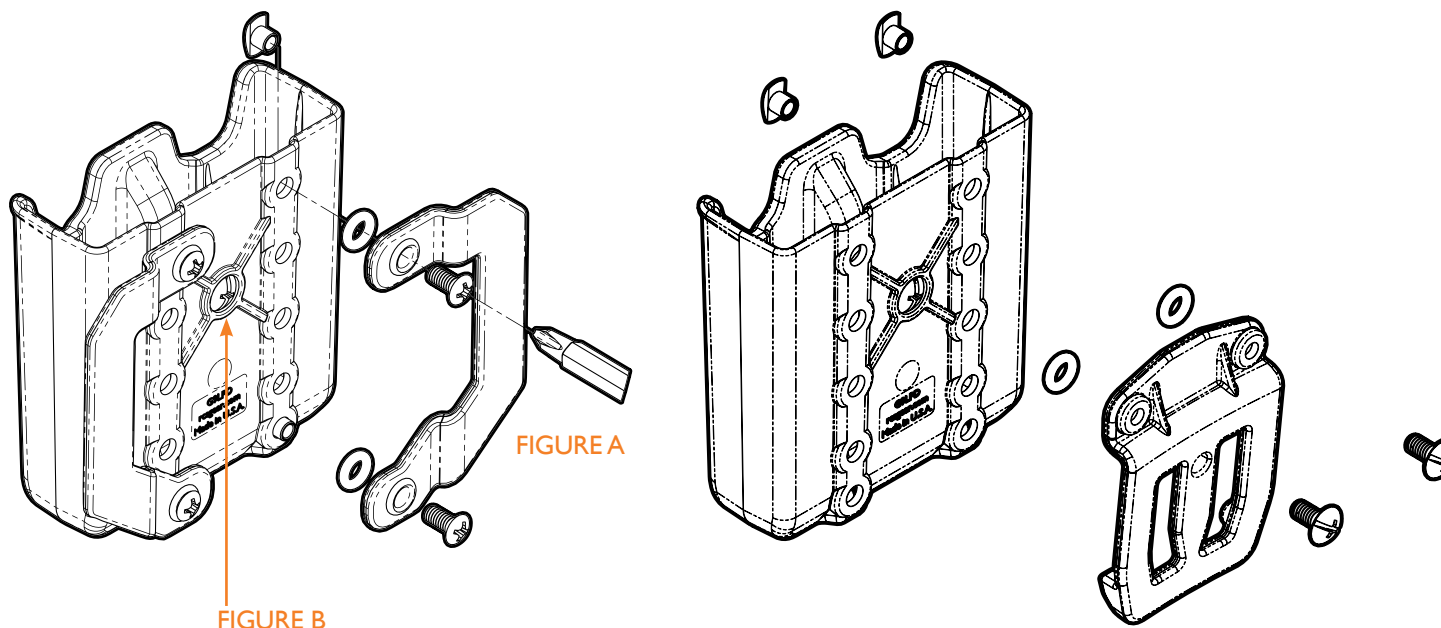
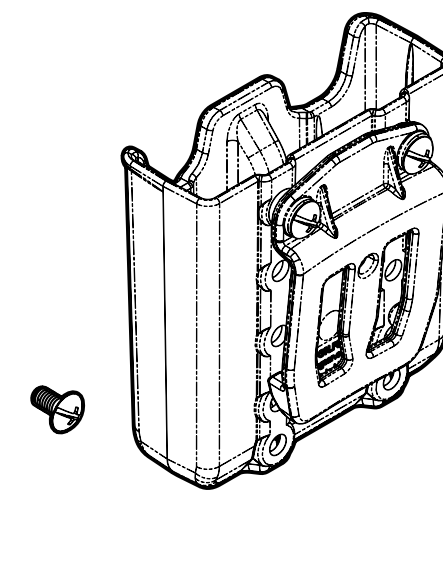


FIGURE B



Instructions for Installation: Single Rifle Magazine Carrier

Lictor Magazine Carriers are premium, duty-grade, injection-molded magazine carriers designed for hard-use, daily concealed carry. Their innovative cavity design and retention system allows them to be used ambidextrously with both aluminum and polymer AR magazines from many manufacturers.

The carrier is produced as a single polymer piece, eliminating the need for eyelet surfaces. This reduces

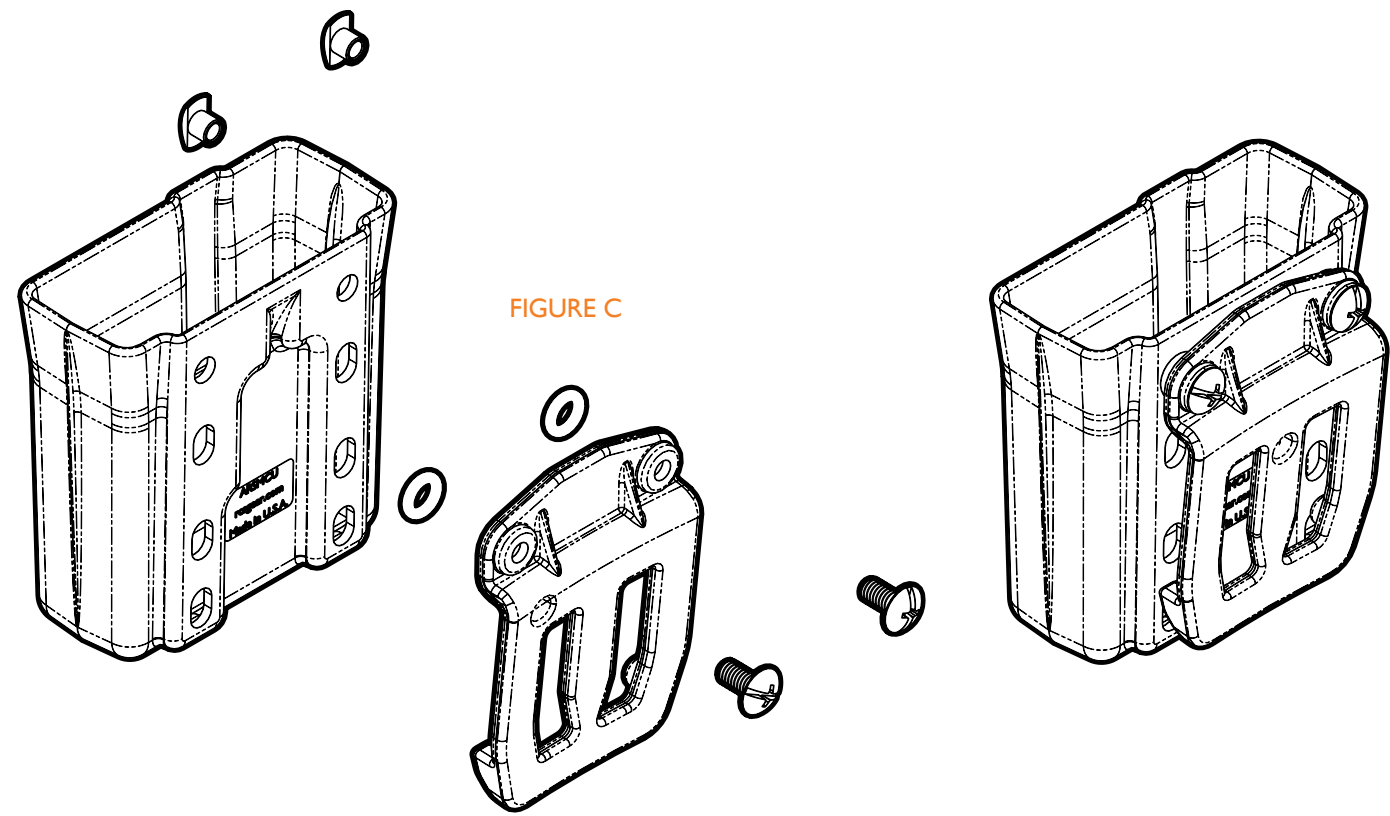
the overall footprint of the mag carrier and saves critical real estate on your belt. Lictor is not only more comfortable than traditional magazine carriers; it is also more concealable. The Lictor can be used in both the traditional “rounds pointing rearward” or “rounds pointing forward” methods of carry.

These carriers ship with a Raven Concealment Belt Clip. They are compatible with many popular MOLLE/

MALICE clips if a vest worn option is preferred, as they are prefabricated with the respective hole spacing (mounts and hardware not included).

To install Raven Belt Clip:

Align belt clip holes with the top two holes in the rear of the mag carrier. Align the Post, O-Rings, Clip, and Screws as shown in **Figure C**, and tighten, repeating for both hole locations.



Rifle Magazine Carrier with Raven Belt Clip



Pistol Magazine Carrier with Pancake Wings



Pistol Magazine Carrier with Raven Belt Clip

⚠ The four basic firearm safety rules:

1. Treat all guns as if they are loaded
2. Keep your fingers outside of the trigger guard until you are ready to fire
3. Never let the muzzle cross anything you are not willing to kill, destroy, or purchase.
4. Always know your target, its foreground and background.

